

# FINDRUM

with 6mm or Hex fixing



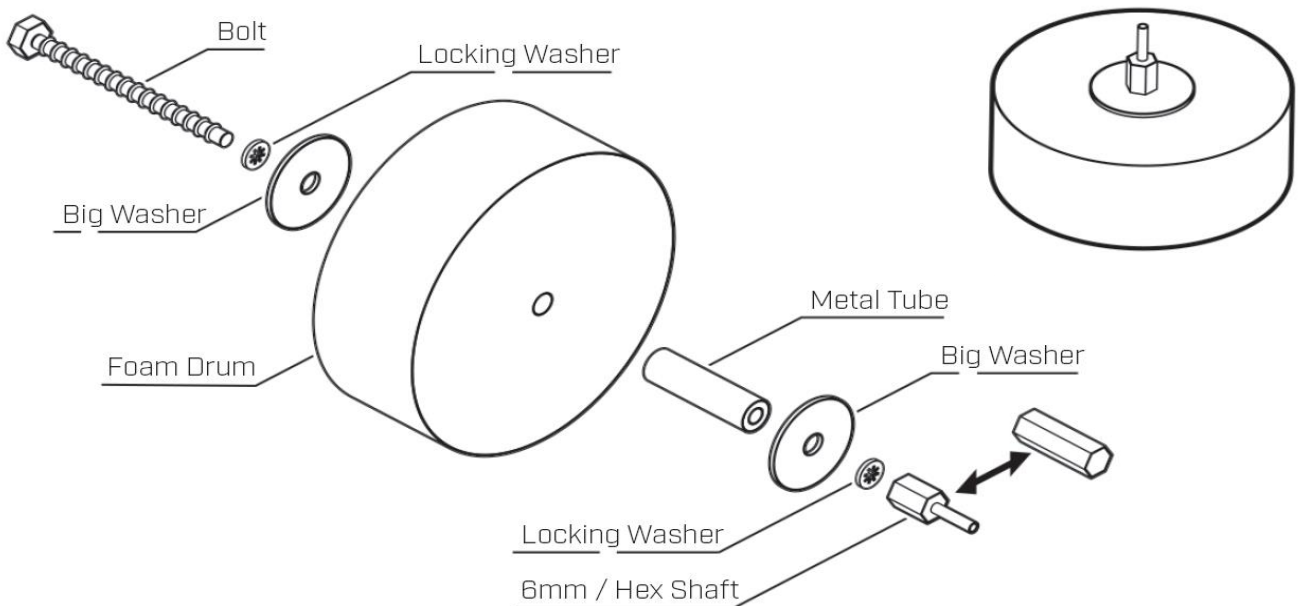
# ASSEMBLY INSTRUCTIONS

with Consumables List



[www.finaids.com](http://www.finaids.com)

# Assembly diagram



- Suitable for use in both cordless and corded drills, straight grinders, flexible shaft machines and pillar drills
- Lightweight, high density foam prevents operator fatigue whilst preserving the life of the drum
- Full range of belts available to suit every application and workpiece material
- Discount available for bulk quantities



## FINDRUM ABRASIVE BELTS



Material	Size	Available Grits	Belt type	Application
784F	60x405mm	36+, 60+, 80+ 120+	100% PSG	Metalworking
384F	60x405mm	36+, 60+, 80+ 120+	PSG* / Alox	All-rounder
777F	60x405mm	P40, P60, P80, P120	Ceramic	All-rounder
Scotchbrite™	60x405mm	ACRS, AMED, AVFN	Non-woven	Grained Metal

\*PSG = Precision Shaped Grain™



Material	Size	Available Grits	Belt type	Application
341XP	60x405mm	P40, P60, P80, P120	Zirc/Alox mix	All-rounder
641XP	60x405mm	P40, P60, P80, P120	Alox	All-rounder
062XP	60x405mm	P40, P60, P80, P120	Ceramic	Metalworking



Zirconium Spirobands suitable for use on Stainless Steel



Flapwheels available on 3mm or 6mm shaft available in multiple sizes and grits



Aluminium Oxide Spirobands for use on Wood and Mild Steel

for more information about our shaft mounted products head to [www.finaids.com](http://www.finaids.com)



[www.finaids.com](http://www.finaids.com)